

TP19UD24B54

DC

> CONTACT US



TP series roof exhaust units represent an optimal solution for heat dissipation through the top of electrical cabinets. They are ideal for indoor use where there is limited space on the front and side panels. According to the ambient conditions these units can be operated with fan (forced air) or without a fan (natural air convection).

Technical data		
APPROVALS		
Approvals	CE	
PERFORMANCE		
Max Airflow	543	m ³ /h
	320	CFM
Airflow with Exhaust Filter	482	m ³ /h
	284	CFM
Max Static Pressure	435	Pa
	1.75	in H ₂ O
ELECTRICAL DATA		
Tachometer Output	3	pulse/revolution
Rated Voltage	24	V d.c.
Rated Current	3.86	A
Rated Power	92	W
Motor Protection	Electronically Protected	
GENERIC DATA		
RAL Number	7035	
Electrical Connection	Terminal Block	
Life Expectancy	20000	h at 55 °C
	20000	h at 131 °F
Wires Section	1.5-4	mm ²
	16-12	AWG

Image is for illustrative purpose only. All specifications, data and drawing are subject to change without notice. Please refer to our terms of sales including our warranty and limited liabilities clauses.

TP19UD24B54

DC

> CONTACT US

Technical data		
Noise	63.0	dB(A)
Filter Class	ISO coarse 30%	ISO 16890
Filter Class	G2	EN 779
Filter Material	thermo-linked progressive structure synthetic fibre	
ENVIRONMENTAL AND THERMAL DATA		
IP Protection Degree	IP54	
Operating Temperature	-20÷55	°C
	-4÷131	°F
Storage Temperature	-25÷60	°C
	-13÷140	°F

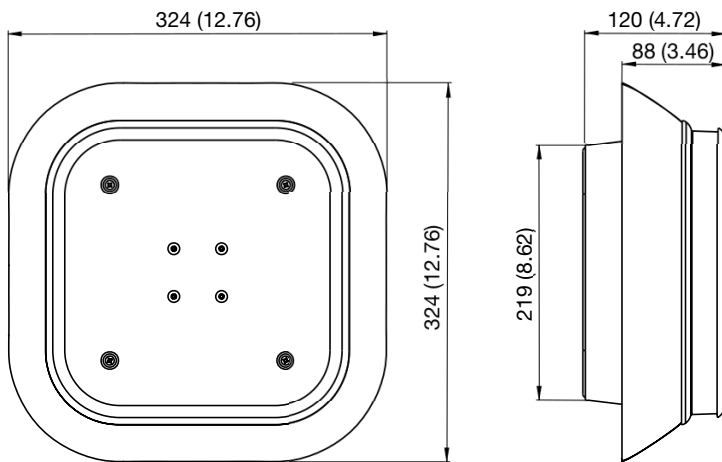
Image is for illustrative purpose only. All specifications, data and drawing are subject to change without notice. Please refer to our terms of sales including our warranty and limited liabilities clauses.

TP19UD24B54

DC

> CONTACT US

Technical drawing mm (in)



Mounting cut-out mm (in)

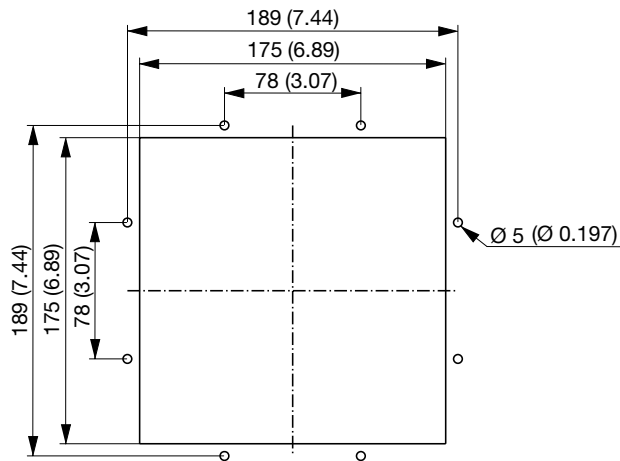


Image is for illustrative purpose only. All specifications, data and drawing are subject to change without notice. Please refer to our terms of sales including our warranty and limited liabilities clauses.

TP19UD24B54

DC

> CONTACT US

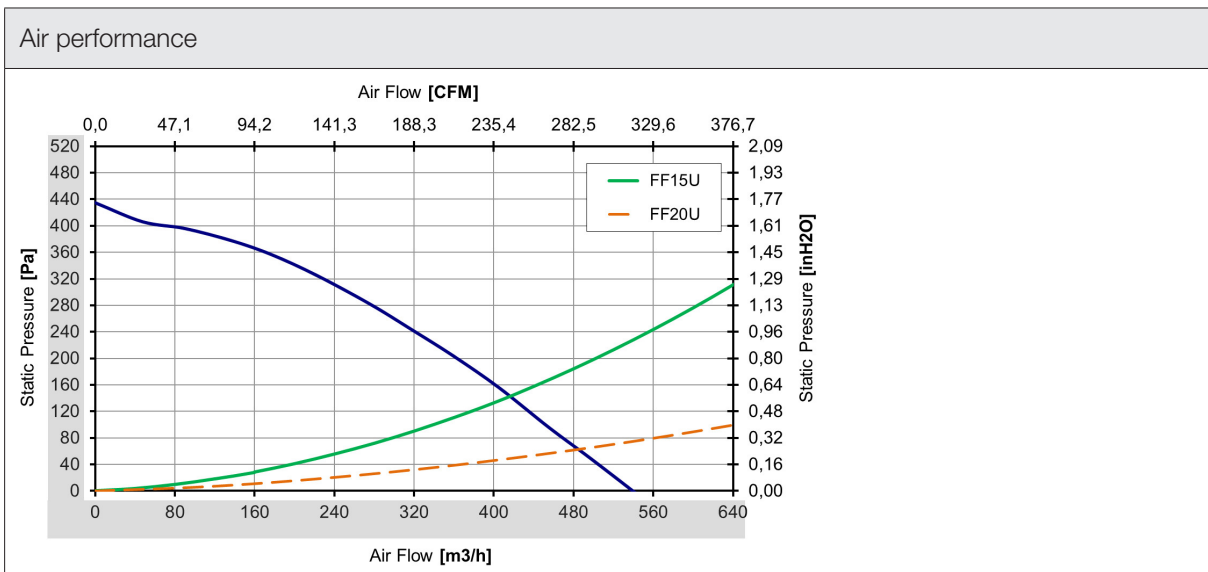
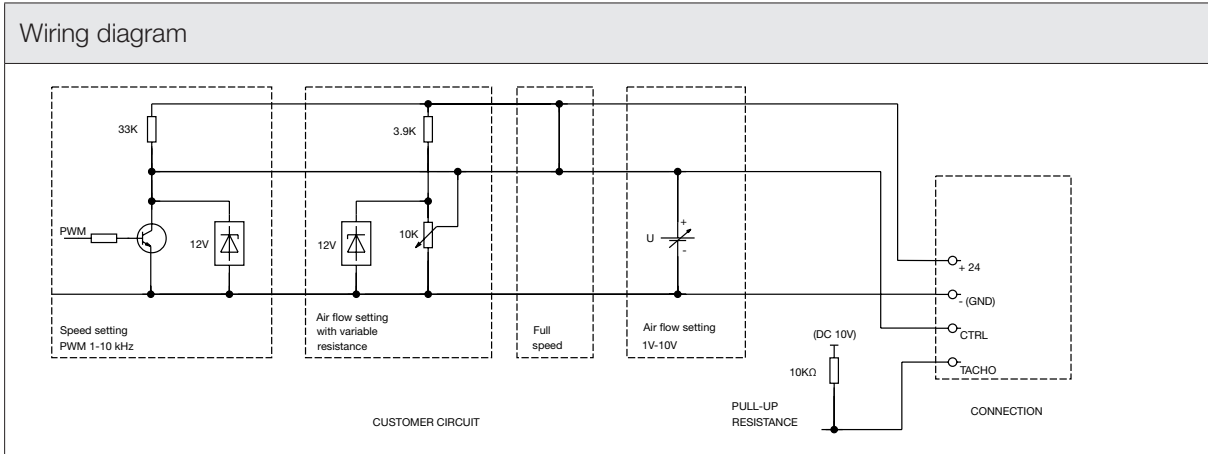


Image is for illustrative purpose only. All specifications, data and drawing are subject to change without notice. Please refer to our terms of sales including our warranty and limited liabilities clauses.